



# Gas Springs & Hydraulic Dampers



**ACE Controls Inc.**  
World leader in deceleration technology  
ISO 9001:2000 Certified

12/08(R)

ACE Controls, Inc.  
World Headquarters  
Farmington, Michigan U.S.A.  
800-521-3320

ACE Stossdampfer GMBH  
Langenfeld, Germany  
0-2173-922610

ACE Controls Japan Ltd.  
Chiba Prefecture, Japan  
0-436-246711

ACE Controls International  
Merseyside, United Kingdom  
1-925-227171

Founded over 35 years ago, ACE Controls, Inc. is recognized as the world leader in the design and manufacture of deceleration devices for a wide variety of industries. Facilities are located in the United States, England, Germany and Japan together with extensive distribution throughout the world. ACE is able to provide an excellent and responsive sales and support network.

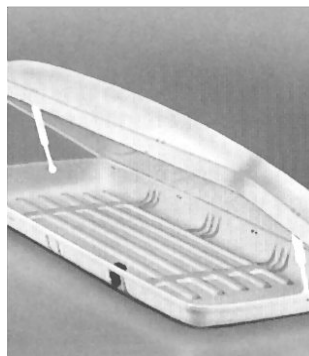
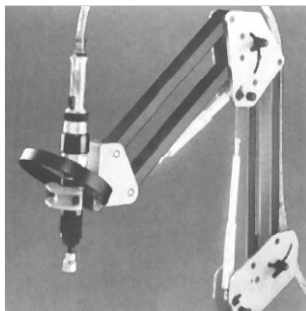
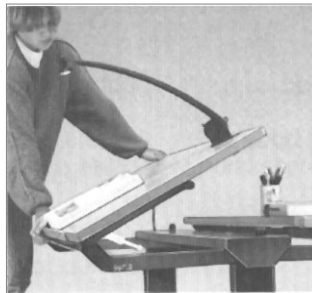
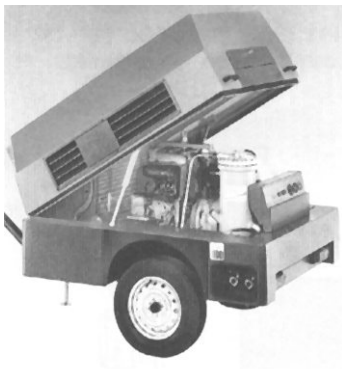
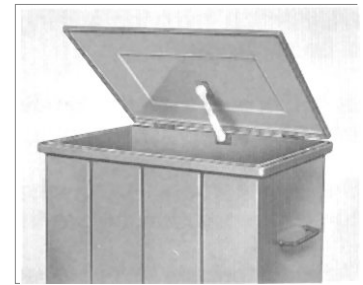
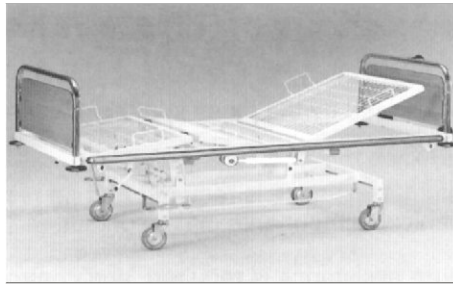
The ACE Controls product line includes gas springs, hydraulic dampers, industrial shock absorbers, stacker crane shocks as well as crane and heavy industrial shock absorbers, velocity controls, rotary dampers and TUBUS elastomer bumpers.

ACE's innovations include adjustable and self-compensating shock absorbers as well as CAD files and simulation software for shock absorber

applications and product selection. ACE Controls, Inc. is a certified ISO 9001:2000 manufacturer.

The ACE line of gas springs is ideal for counterbalancing loads to provide assistance in both lifting and lowering covers, guards and panels, as well as limiting the rate at which heavy covers, etc. can be moved.

ACE Controls' Applications Department is one of the most advanced in the industry. Engineers are available to assist you by providing full technical support for your gas spring and hydraulic damper application requirements. The ACE Controls Applications Department can be reached at 800-521-3320.



**Additional Gas Spring Applications Include:**

Computers  
 Photocopiers  
 Aircraft Overhead Compartments  
 Aircraft Galley Equipment  
 Truck Engine Covers  
 Truck Side Panels  
 Electrical Enclosure Cabinets

Boat Engine Hatches  
 Bus/Coach Engine Covers  
 Bus/Coach Courier Seats  
 Fork Lifts  
 Conveyor Belt Tensioning  
 Roof Ventilation Hatches  
 Manhole/Access Covers

Molding Machines  
 Executive Desks  
 Smoke Vents  
 Stair Lifts  
 Security Cabinets  
 Washing Machine Lids  
 Automatic Cash Dispensers

## Function

In every action involving a lifting or lowering motion, e.g. when opening a hatch lid, there are masses in movement which must be controlled.

If this is ignored, then the kinetic energy caused by the mass in motion can result in considerable damage. There are several ways that ACE offers to control this motion.

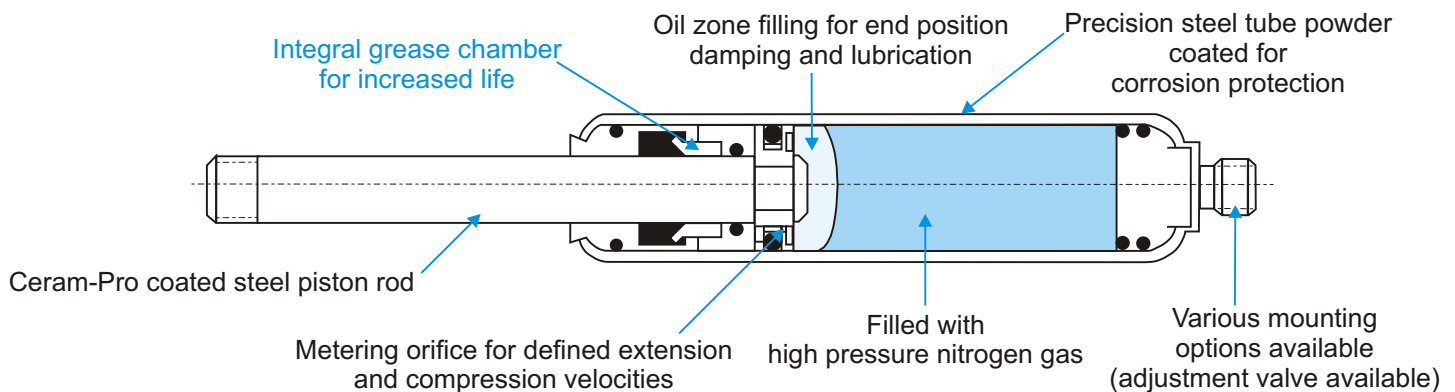
a) Shock absorbers - used when no return assistance is required and no restriction of the velocity is required, control being provided shortly before the mechanical components make contact.

b) Velocity controls - used when no return assistance is required, and control of velocity throughout the motion is required.

c) Rotary dampers - used in light load situations requiring no return assistance and controlled velocity throughout the motion.

d) Gas springs - used when return assistance or load support (counterbalance) is required throughout the motion.

The gas springs can be provided in a wide range of body sizes, stroke lengths and the force provided can be specified to suit the specific application. The extension and compression velocities can also be customized on request.



## Construction and Operation

ACE gas springs are maintenance free self-contained systems which are filled with high pressure nitrogen gas to a defined pressure. They also contain a small quantity of oil to provide end position damping.

During operation, the nitrogen gas flows through the metering orifice and allows the load to be lowered in a controlled manner. The force of the gas spring works against the weight and prevents it from accelerating and damaging mechanical components on closure.

Upon reversal the nitrogen flows back through the piston orifice and the gas spring force assists the action, reducing the effort required to reset the mechanism.

The opening and closing speeds can be varied by altering the size of the metering orifice.

For cushioning on the extension stroke, mount with the rod down. For cushioning on the compression stroke, mount with the rod up.

An integral grease chamber behind the rod seals ensures lasting lubrication which can increase the life of ACE gas springs by at least 100% compared to other products on the market.

The Ceram-Pro coated steel piston rod and powder coated precision steel body ensure excellent corrosion protection and provide a long maintenance free working life.

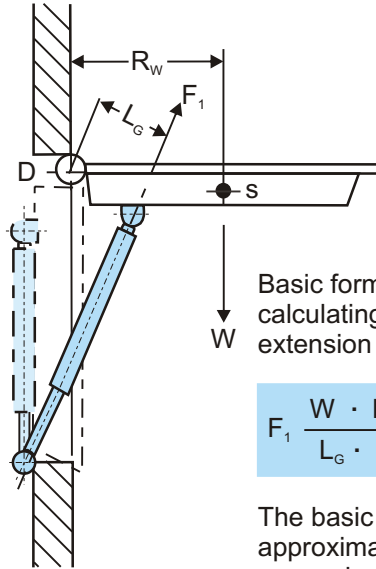
The wide variety of available mounting accessories provide mounting versatility and options.

Use the following application parameters to calculate a suitable ACE gas spring:

1. Weight of the lid or flap **lbs (kg)**
2. Position of the center of gravity **in (mm)**
3. Sketch of the application layout

Symbols used:

- |                |                                   |                 |
|----------------|-----------------------------------|-----------------|
| W              | Force due to weight of the lid    | <b>lbs (kg)</b> |
| R <sub>w</sub> | Radius of center of gravity       | <b>in (mm)</b>  |
| L <sub>G</sub> | Distance to gas spring            | <b>in (mm)</b>  |
| s              | Center of gravity                 | -               |
| D              | Pivot point                       |                 |
| n              | Number of gas springs in parallel |                 |



## Example

$$\begin{aligned}
 W &= 90 \text{ lbs (41 kg)} \\
 R_w &= 30 \text{ in (762 mm)} \\
 L_G &= 6 \text{ in (152.4 mm)} \\
 n &= 2 \\
 F_1 &= \frac{90 \cdot 30}{6 \cdot 2} \\
 F_1 &= 225 \text{ lbs (1000 N)}
 \end{aligned}$$

Basic formula for calculating required extension force:

$$F_1 = \frac{W \cdot R_w}{L_G \cdot n} \text{ lbs (N)}$$

Chosen force:  
 $F_1 = 225 \text{ lbs (1000 N)}$   
 Chosen gas spring:  
 GS-22-200-AA-1000

The basic formula given enables an approximate calculation of the required gas spring force for one mounting position geometry.

In order to save time we recommend that the calculation and selection of the most suitable gas spring be completed by ACE.

With our sophisticated selection software we can quickly determine the resultant opening or closing forces throughout the complete movement and recommend the optimum mounting points, gas spring model and nominal force.

Please fax us the completed Application Data form on page 10.

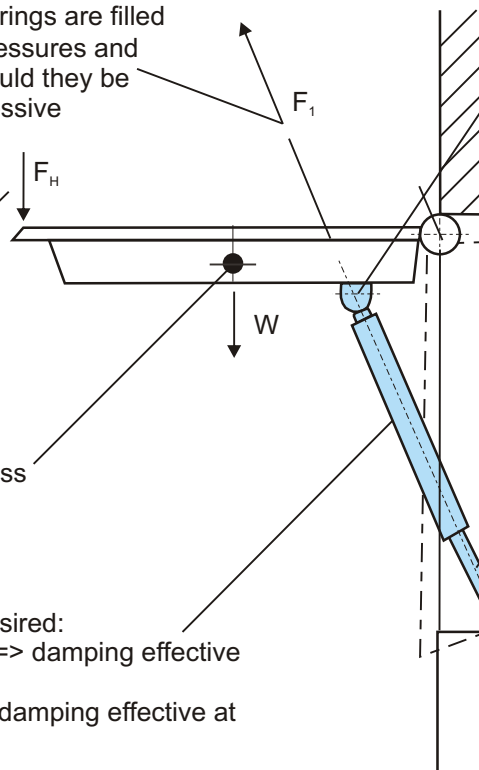
**ACE gas springs are self contained, maintenance free devices and are supplied ready for installation. The following points should be noted to ensure the longest possible working life:**

Gas spring force  $F_1$ : Gas springs are filled with nitrogen at very high pressures and under no circumstances should they be opened or subjected to excessive tensile loads.

External force  $F_H$ : for example manual (hand) force to close the flap.

Weight force  $W$ : due to mass acting at center of gravity.

Gas spring orientation as desired:  
 With piston rod downwards => damping effective at end of extension stroke.  
 With piston rod upwards => damping effective at end of compression stroke.



Choose a standard available gas spring from the ACE range featured in this catalog before determining the mounting position coordinates, or preferably allow ACE to do the calculations and provide a printout suggesting the most suitable model and mounting positions.

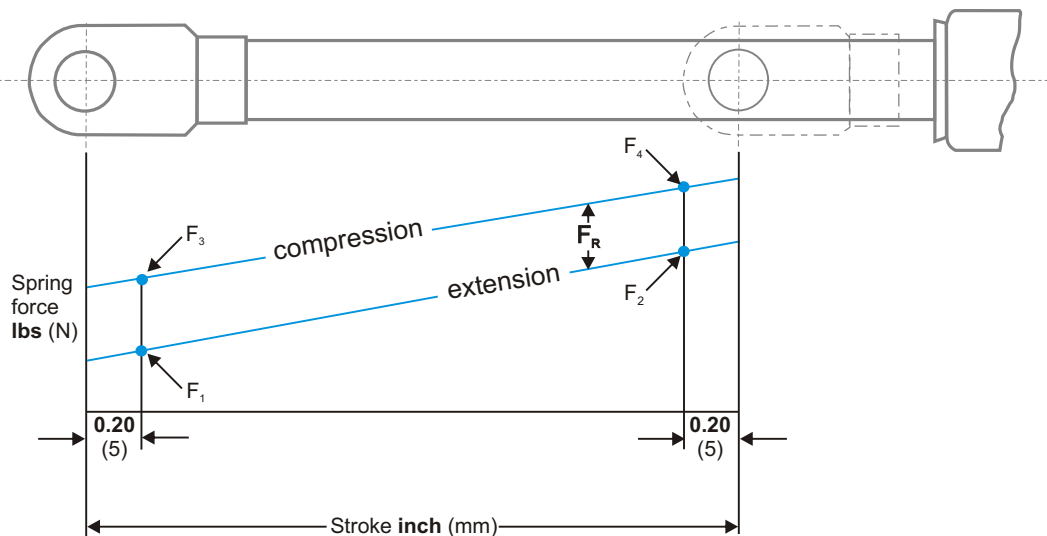
Where possible arrange the mounting positions so that the effective torque provided by the gas spring positively holds the flap in its closed position.

Protect the piston rod from impact damage, scratches, dirt or paint contamination. The gas spring barrel must not be deformed or damaged.

The gas spring must not be exposed to bending forces or side loads. If using eyelet fittings support the eye on both sides and allow some float. We recommend using ball joints on most applications as these help to eliminate any misalignment.

## Gas Spring Force - Stroke Characteristics

Gas Spring - Push Type



Type	Progression* approximate %	Friction $F_R$ approximate lbs (N)
GS-15	27	4 (20)
GS-19	33	7 (30)
GS-22	38	7 (30)
GS-28	52	9 (40)

$F_1$  = Nominal Force at 68° F (20° C) (this figure is normally used when specifying gas springs)

$F_1$  to  $F_2$  = Force on extension stroke

$F_3$  to  $F_4$  = Force on compression stroke

\*The progression (slope of the force line in the characteristic diagram above) is due to the reduction of the internal gas volume as the piston rod moves from its initial position to its fully stroked position. The approximate progression values given above for standard springs can be altered upon request.

Effect of temperature: The nominal  $F_1$  force figure is given at 68° F (20° C).

An increase in temperature of 18° F or 10° C will result in approximately a 3.4% increase in the force.

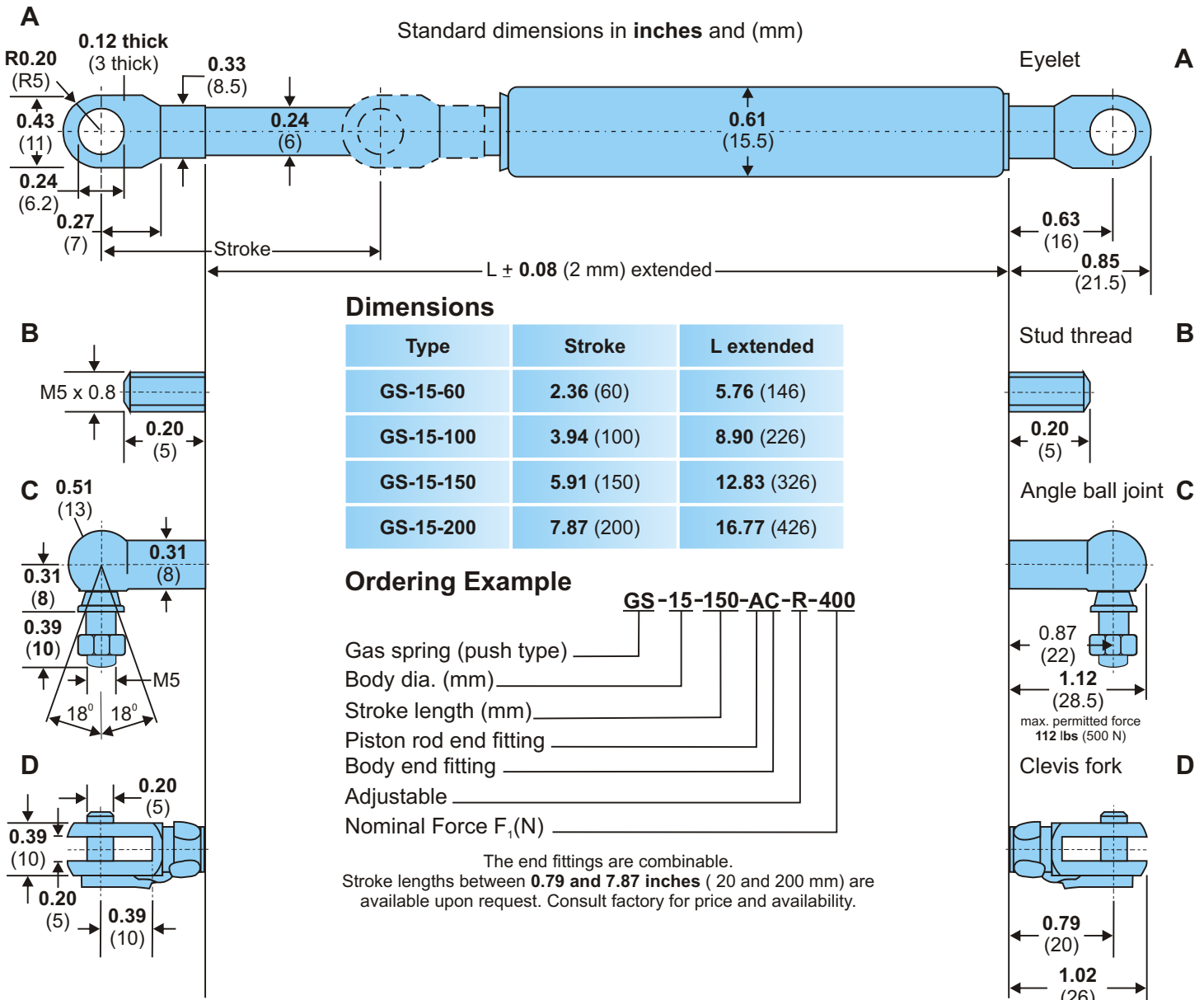
General extension force tolerance is +40N/-20N or  $\pm 5 - 7\%$ .

Note: Initial breakaway force may be higher if units are stored for a long period without use.

### Additional Gas Spring Available Options

1. Lockable gas springs: GBF & GBS 22, 28 & 40
  2. Gas springs (push type): GS-40
  3. Gas springs (pull type): GZ-19, GZ-28 (GZ models are a special order)
- Note: GS and GZ gas springs are available as fixed force options with optional lengths.

Extension force range **2 to 90 lbs** (10 to 400 N)



### Dimensions

Type	Stroke	L extended
GS-15-60	2.36 (60)	5.76 (146)
GS-15-100	3.94 (100)	8.90 (226)
GS-15-150	5.91 (150)	12.83 (326)
GS-15-200	7.87 (200)	16.77 (426)

### Ordering Example

**GS-15-150-AC-R-400**

- Gas spring (push type) \_\_\_\_\_
- Body dia. (mm) \_\_\_\_\_
- Stroke length (mm) \_\_\_\_\_
- Piston rod end fitting \_\_\_\_\_
- Body end fitting \_\_\_\_\_
- Adjustable \_\_\_\_\_
- Nominal Force  $F_1$  (N) \_\_\_\_\_

The end fittings are combinable.  
Stroke lengths between **0.79 and 7.87 inches** (20 and 200 mm) are available upon request. Consult factory for price and availability.

### Technical Data

ACE Gas springs are self contained and maintenance free.

**Mounting position:** Can be mounted in any position, but we recommend mounting with piston rod downwards so that damping is effective at end of extension stroke.

**End position damping length:** approximately 0.39 (10 mm)

**Force progression:** approximately 27%

**Temperature range:** -22 to +176° F (-30 to +80° C)

**Fluid:** nitrogen gas and oil (for end position damping)

**Force range:** 2 to 90 lbs (10 to 400 N)

**Material:** Ceram-Pro coated steel piston rod for corrosion protection, body: powder coated steel

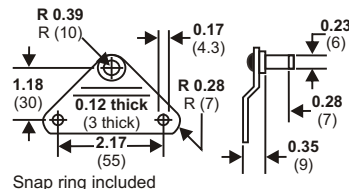
**End fittings:** zinc plated steel or aluminum

**Options:** without damping, extended length damping, special force curves, special lengths, alternative end fittings, M5 adjusting knob

### Mounting Brackets (zinc plated steel)

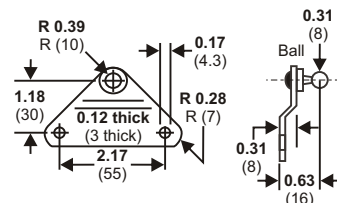
#### GSB-01

max. force 112 lbs (500 N)



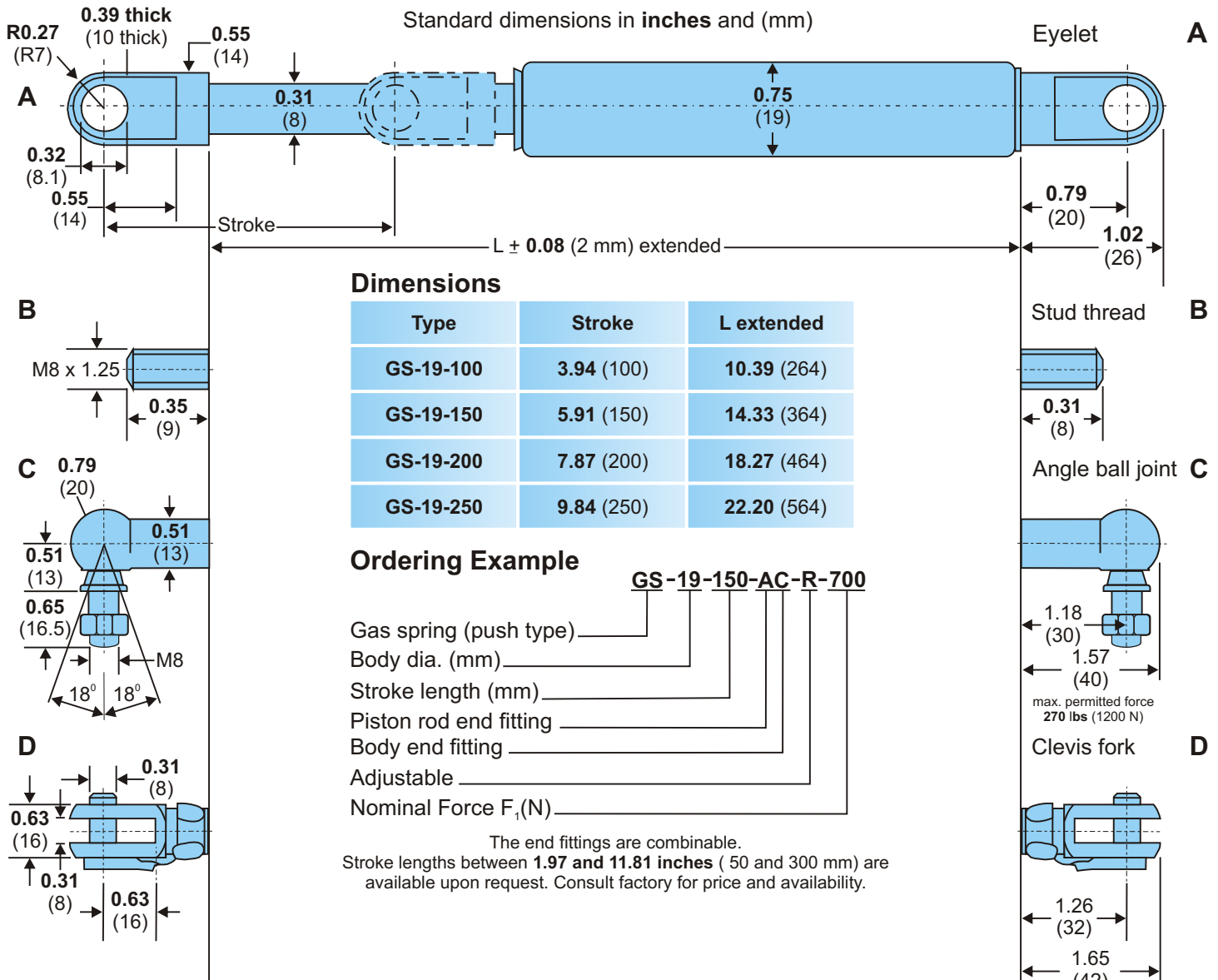
#### GSB-02

max. force 112 lbs (500 N)



**Note:** Remember rising force curve on compression.

Extension force range **11 to 157 lbs** (50 to 700 N)



**Dimensions**

Type	Stroke	L extended
GS-19-100	3.94 (100)	10.39 (264)
GS-19-150	5.91 (150)	14.33 (364)
GS-19-200	7.87 (200)	18.27 (464)
GS-19-250	9.84 (250)	22.20 (564)

**Ordering Example**

**GS-19-150-AC-R-700**

- Gas spring (push type) \_\_\_\_\_
- Body dia. (mm) \_\_\_\_\_
- Stroke length (mm) \_\_\_\_\_
- Piston rod end fitting \_\_\_\_\_
- Body end fitting \_\_\_\_\_
- Adjustable \_\_\_\_\_
- Nominal Force  $F_1$  (N) \_\_\_\_\_

The end fittings are combinable.  
Stroke lengths between **1.97 and 11.81 inches** ( 50 and 300 mm) are available upon request. Consult factory for price and availability.

**Technical Data**

ACE Gas springs are self-contained and maintenance free.

**Mounting position:** Can be mounted in any position, but we recommend mounting with piston rod downwards so that damping is effective at end of extension stroke.

**End position damping length:** approximately 0.39 (10 mm)

**Force progression:** approximately 33%

**Temperature range:** -22 to +176° F (-30 to +80° C) with special seals up to + 392° F (+200° C)

**Fluid:** nitrogen gas and oil (for end position damping)

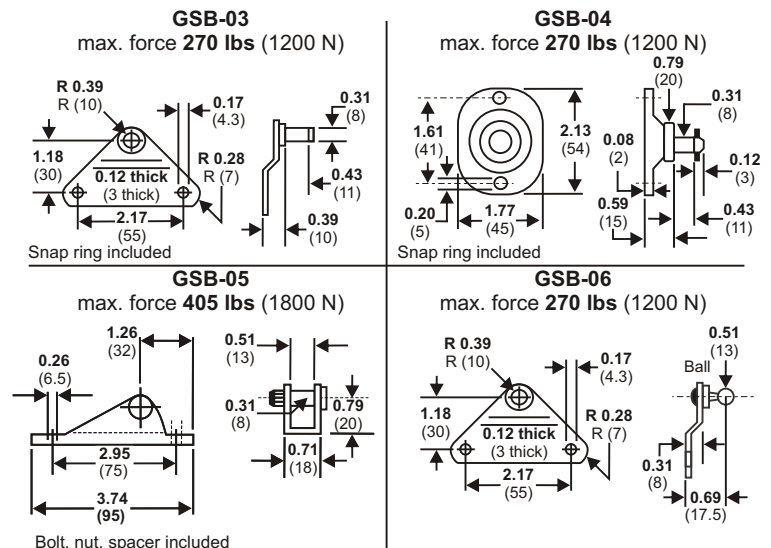
**Force range:** 11 to 157 lbs (50 to 700 N)

**Material:** Ceram-Pro coated steel piston rod for corrosion protection, body: powder coated steel

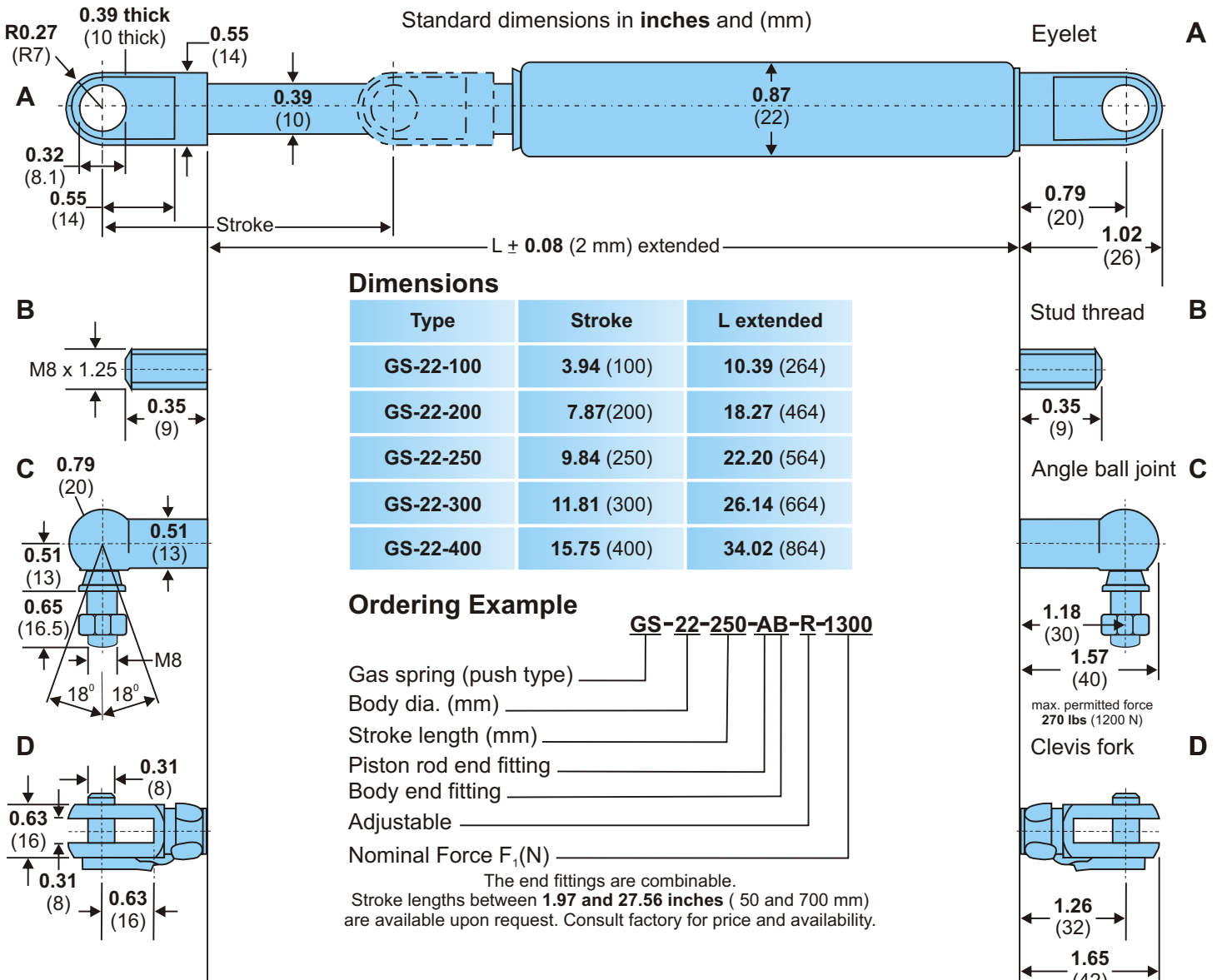
**End fittings:** zinc plated steel or aluminum

**Options:** without damping, extended length damping, special force curves, special lengths, alternative end fittings, M8 adjusting knob

**Mounting Brackets** (zinc plated steel)



**Note:** Remember rising force curve on compression.



**Technical Data**

ACE Gas springs are self-contained and maintenance free.

**Mounting position:** Can be mounted in any position, but we recommend mounting with piston rod downwards so that damping is effective at end of extension stroke.

**End position damping length:** approximately 0.39 (10 mm)

**Force progression:** approximately 38%

**Temperature range:** -22 to +176° F (-30 to +80° C) with special seals up to +392° F (+200° C)

**Fluid:** nitrogen gas and oil (for end position damping)

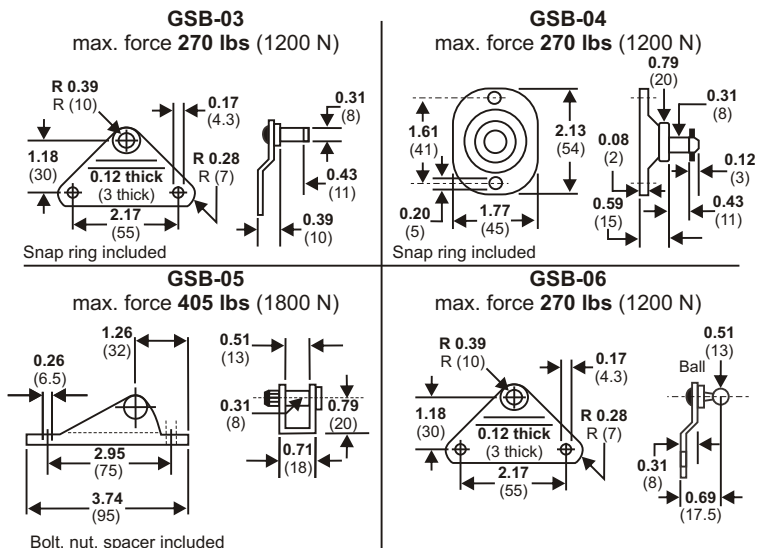
**Force range:** 18 to 292 lbs (80 to 1300 N)

**Material:** Ceram-Pro coated steel piston rod for corrosion protection, body: powder coated steel

**End fittings:** zinc plated steel or aluminum

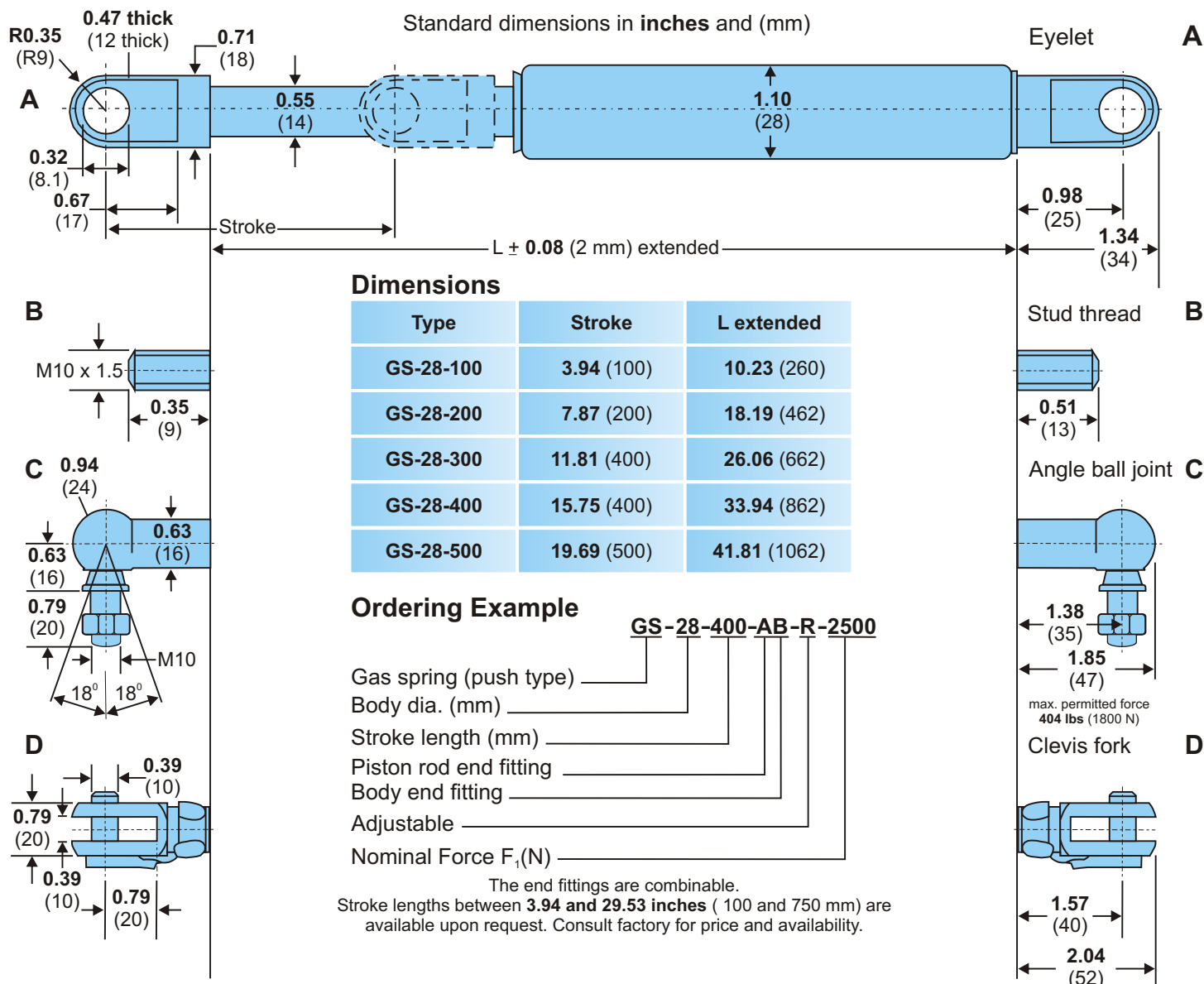
**Options:** without damping, extended length damping, special force curves, special lengths, alternative end fittings, M8 adjusting knob

**Mounting Brackets** (zinc plated steel)



**Note:** Remember rising force curve on compression.

Extension force range **22 to 562 lbs** (100 to 2,500 N)



**Technical Data**

ACE Gas springs are self-contained and maintenance free.

**Mounting position:** Can be mounted in any position, but we recommend mounting with piston rod downwards so that damping is effective at end of extension stroke.

**End position damping length:** approximately 0.39 (10 mm)

**Force progression:** approximately 52%

**Temperature range:** -22 to +176° F (-30 to +80° C) with special seals up to +392° F (+200° C)

**Fluid:** nitrogen gas and oil (for end position damping)

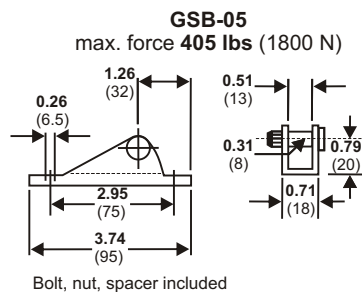
**Force range:** 22 to 562 lbs (100 to 2500 N)

**Material:** Ceram-Pro coated steel piston rod for corrosion protection, body: powder coated steel

**End fittings:** zinc plated steel or aluminum

**Options:** without damping, extended length damping, special force curves, special lengths, alternative end fittings, M10 adjusting knob

**Mounting Bracket** (zinc plated steel)



**Note:** Remember rising force curve on compression.

Requirement per year \_\_\_\_\_

Name \_\_\_\_\_  
 Company \_\_\_\_\_  
 Address \_\_\_\_\_  
 Telephone \_\_\_\_\_  
 Fax \_\_\_\_\_  
 E-mail \_\_\_\_\_  
 Comments \_\_\_\_\_

## Gas Spring Type


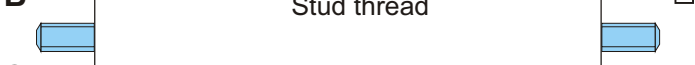


Input Data

Radius of center of gravity	$R_w$	_____	in (mm)
Moving weight	$w$	_____	lbs (kg)
Radius of hand force	$R_H$	_____	in (mm)
Desired max. handforce	$F_H$	_____	lbs (N)
No of gas springs in parallel	$n$	_____	pcs
Starting angle (0 to 360°)		_____	°
Opening angle (-360 to +360°)	$\alpha$	_____	°

Gas Spring fixing points (complete if desired)

Fixed point	(x-coord.) $x_1$	_____	in (mm)
Fixed point	(y-coord.) $y_1$	_____	in (mm)
Moving point	(x-coord.) $x_2$	_____	in (mm)
Moving point	(y-coord.) $y_2$	_____	in (mm)

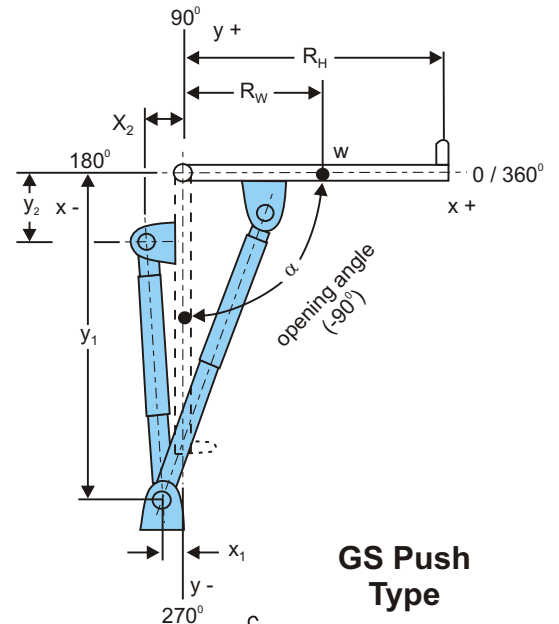
## Desired Mounting Fittings

- |                            |   |                  |                            |
|----------------------------|---|------------------|----------------------------|
| <input type="checkbox"/> A |  | Eyelet           | <input type="checkbox"/> A |
| <input type="checkbox"/> B |  | Stud thread      | <input type="checkbox"/> B |
| <input type="checkbox"/> C |  | Angle ball joint | <input type="checkbox"/> C |
| <input type="checkbox"/> D |  | Clevis fork      | <input type="checkbox"/> D |

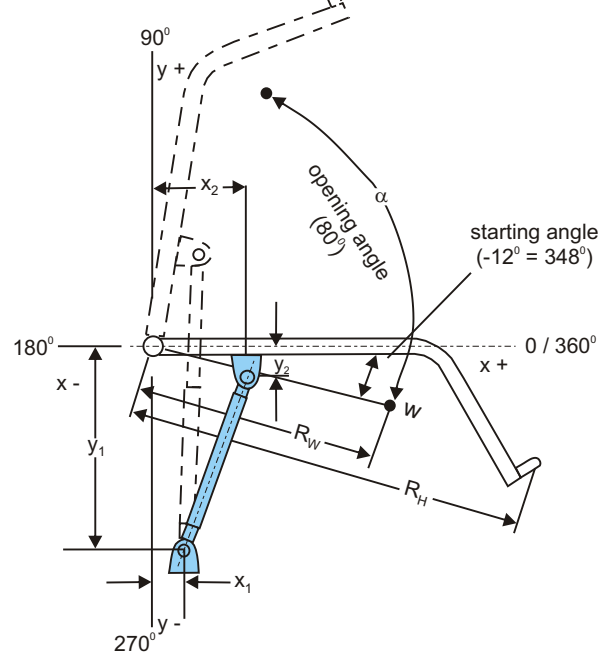
**Please fax to:**  
**ACE Controls, Inc.**  
**248-476-2470**

ACE Controls is dedicated to continuous improvement. ACE therefore reserves the right to change models, dimensions or specifications without notice or obligation.

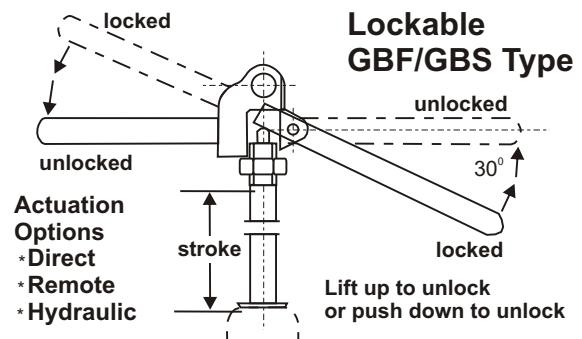
© ACE Controls, Inc. 2008. No portion of this catalog, except where specified, may be reproduced without ACE Controls' written permission.



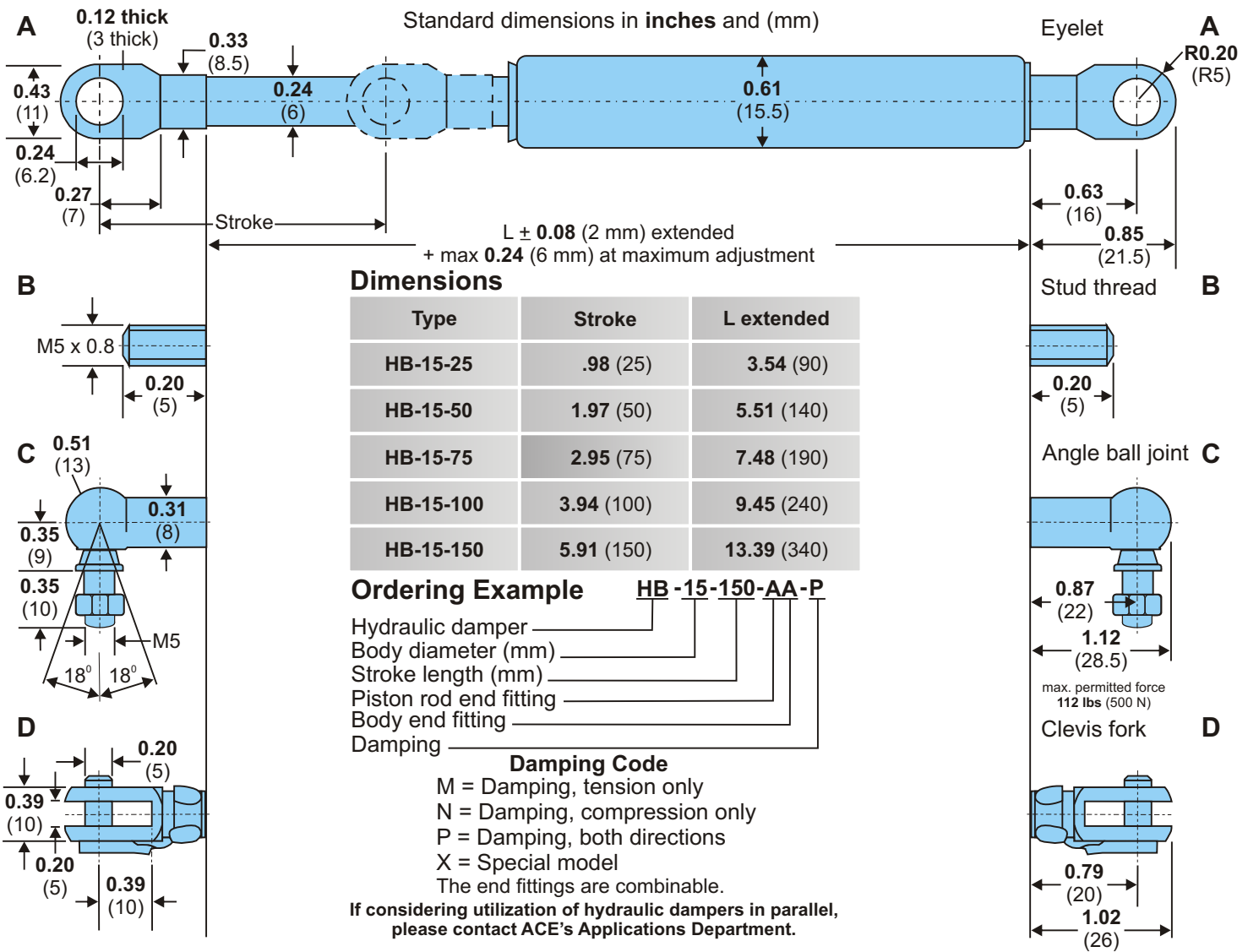
**GS Push Type**



**Lockable GBF/GBS Type**



GBF and GBS types are available in 22 mm, 28 mm and 40 mm diameters with optional lengths. For range of types not shown in this catalog consult your local distributor or ACE Controls directly.



## Technical Data

ACE hydraulic dampers are self-contained and maintenance free.

**Mounting position:** can be mounted in any position

**Adjustment:** pull the piston rod out to its fully extended position. While pulling on the rod, turn it clockwise or counter-clockwise until the desired damping is achieved. The adjustment is multi-turn and correct damping may require several trial and error adjustments.

**Attention:** dampers have free travel accounting for approximately 20% of stroke

**Mechanical stop:** required 1 to 1.5 mm before end of stroke

**Temperature range:** -22° to +176° F (-30° to +80° C), with special seals up to 248° F (120° C)

**Fluid:** petroleum oil

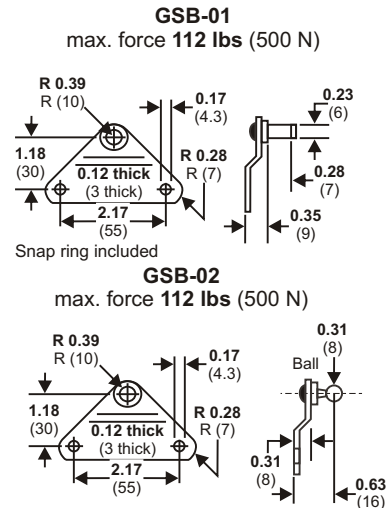
**Minimum force:** 4 lbs (20 N)  
**Maximum force:** 180 lbs (800 N)

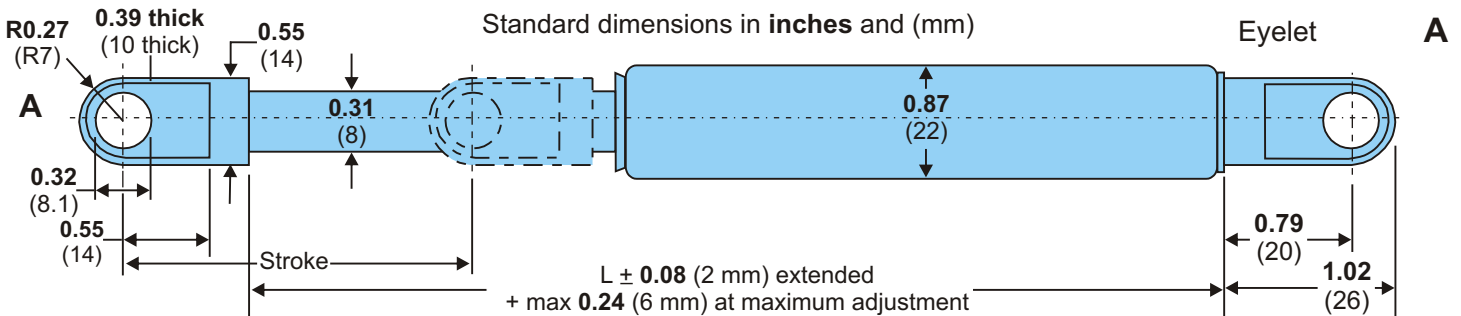
**Material:** chrome steel piston rod  
 body: black anodized aluminum

**End fittings:** zinc plated steel or aluminum

**Options:** units with other damping characteristics, other stroke lengths and alternative end fittings

## Mounting Brackets (zinc plated steel)





**Dimensions**

Type	Stroke	L extended
HB-22-50	1.97 (50)	5.90 (150)
HB-22-100	3.94 (100)	9.84 (250)
HB-22-150	5.91 (150)	13.78 (350)
HB-22-200	7.87 (200)	17.72 (450)
HB-22-250	9.84 (250)	21.65 (550)
HB-22-300	11.81 (300)	25.58 (650)
HB-22-350	13.78 (350)	29.52 (750)
HB-22-400	15.75 (400)	33.46 (850)

**Ordering Example**

**HB-22-150-AA-P**

- Hydraulic damper \_\_\_\_\_
- Body diameter (mm) \_\_\_\_\_
- Stroke length (mm) \_\_\_\_\_
- Piston rod end fitting \_\_\_\_\_
- Body end fitting \_\_\_\_\_
- Damping \_\_\_\_\_

**Damping Code**

- M = Damping, tension only
- N = Damping, compression only
- P = Damping, both directions
- X = Special model

The end fittings are combinable.

If considering utilization of hydraulic dampers in parallel, please contact ACE's Applications Department.

**Technical Data**

ACE hydraulic dampers are self-contained and maintenance free.

**Mounting position:** can be mounted in any position

**Adjustment:** pull the piston rod out to its fully extended position. While pulling on the rod, turn it clockwise or counter-clockwise until the desired damping is achieved. The adjustment is multi-turn and correct damping may require several trial and error adjustments.

**Attention:** dampers have free travel accounting for approximately 20% of stroke

**Mechanical stop:** required 1 to 1.5 mm before end of stroke

**Temperature range:** -22° to +176° F (-30° to +80° C), with special seals up to 248° F (120° C)

**Fluid:** petroleum oil

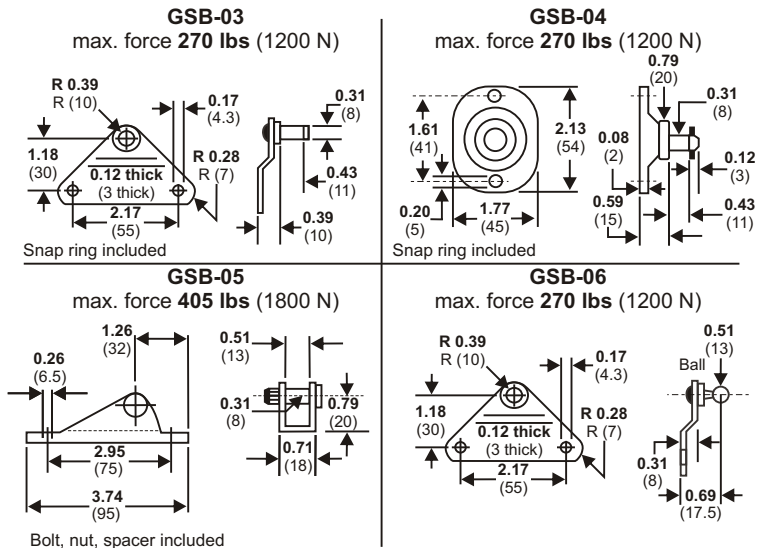
**Minimum force:** 7 lbs (30 N)  
**Maximum force:** 405 lbs (1,800 N)

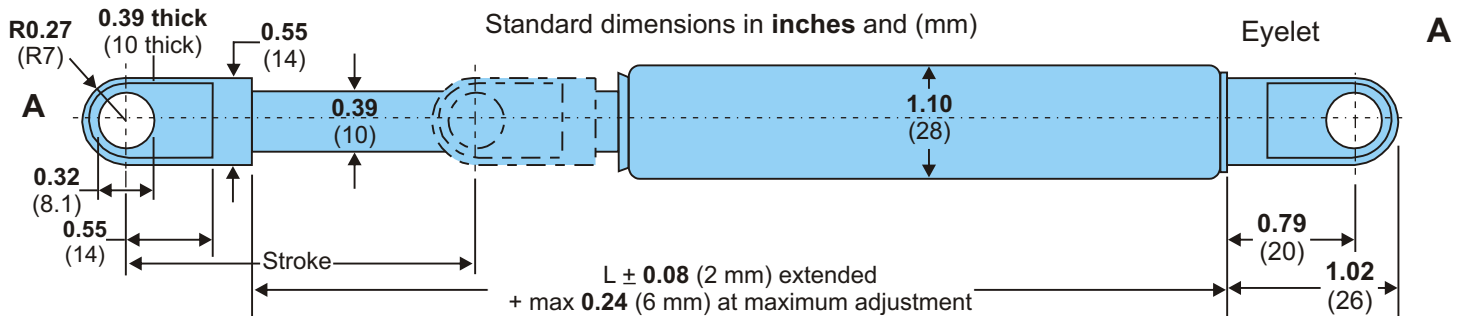
**Material:** chrome steel piston rod  
body: black anodized aluminum

**End fittings:** zinc plated steel or aluminum

**Options:** units with other damping characteristics, other stroke lengths, alternative end fittings and protective rod sleeves

**Mounting Brackets (zinc plated steel)**



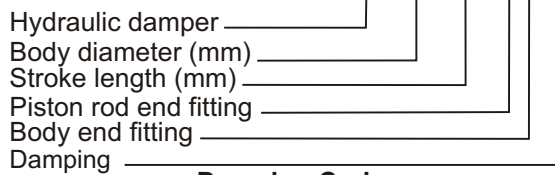


**Dimensions**

Type	Stroke	L extended
HB-28-50	1.96 (50)	6.3 (160)
HB-28-100	3.94 (100)	10.24 (260)
HB-28-150	5.91 (150)	14.17 (360)
HB-28-200	7.87 (200)	18.11 (460)
HB-28-250	9.84 (250)	22.05 (560)
HB-28-300	11.81 (300)	25.98 (660)
HB-28-350	13.78 (350)	29.92 (760)
HB-28-400	15.75 (400)	33.86 (860)
HB-28-500	19.69 (500)	41.73 (1060)

**Ordering Example**

**HB-28-150-AA-P**



**Damping Code**

- M = Damping, tension only
- N = Damping, compression only
- P = Damping, both directions
- X = Special model

If considering utilization of hydraulic dampers in parallel, please contact ACE's Applications Department.

The end fittings are combinable.

**Technical Data**

ACE hydraulic dampers are self-contained and maintenance free.

**Mounting position:** can be mounted in any position

**Adjustment:** pull the piston rod out to its fully extended position. While pulling on the rod, turn it clockwise or counter-clockwise until the desired damping is achieved. The adjustment is multi-turn and correct damping may require several trial and error adjustments.

**Attention:** dampers have free travel accounting for approximately 20% of stroke

**Mechanical stop:** required 1 to 1.5 mm before end of stroke

**Temperature range:** -22° to +176° F (-30° to +80° C), with special seals up to 248° F (120° C)

**Fluid:** petroleum oil

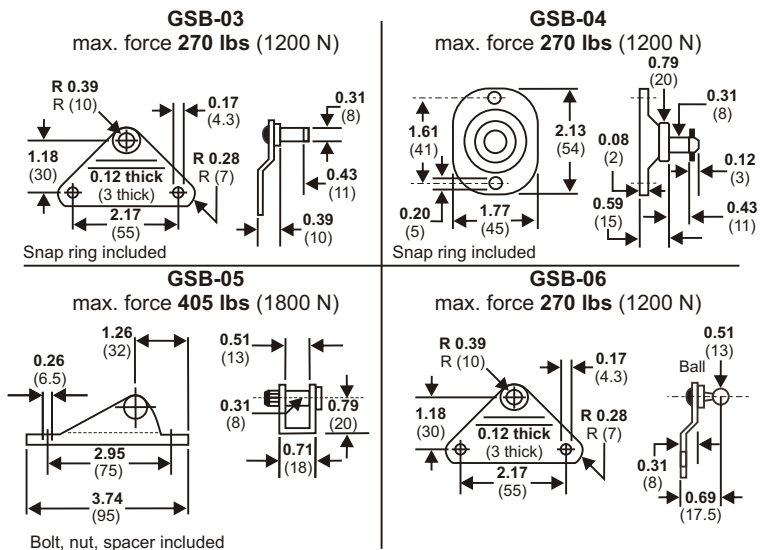
**Minimum force:** 7 lbs (30 N)  
**Maximum force:** 674 lbs (3,000 N)

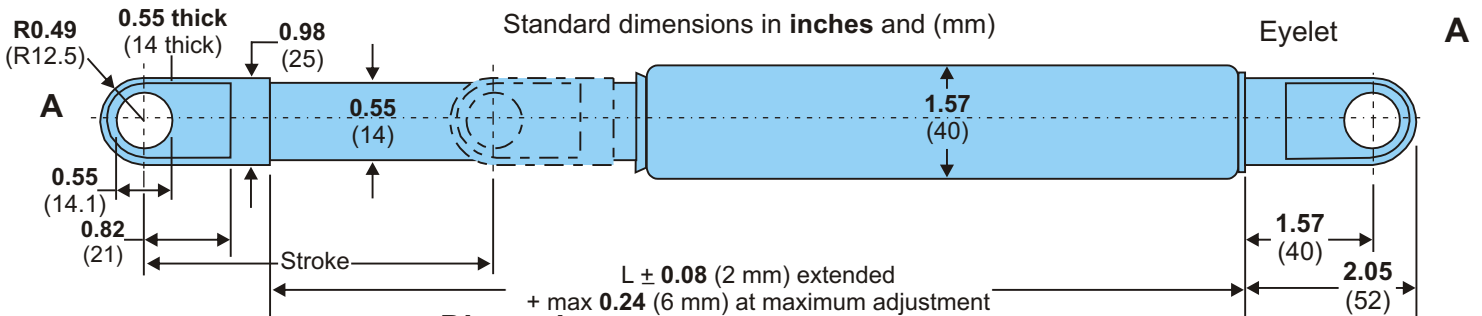
**Material:** chrome steel piston rod  
body: black anodized aluminum

**End fittings:** zinc plated steel or aluminum

**Options:** units with other damping characteristics, other stroke lengths, alternative end fittings and protective rod sleeves

**Mounting Brackets (zinc plated steel)**





**Dimensions**

Type	Stroke	L extended
HB-40-100	3.94 (100)	10.83 (275)
HB-40-150	5.91 (150)	14.76 (375)
HB-40-200	7.87 (200)	18.70 (475)
HB-40-300	11.81 (300)	26.57 (675)
HB-40-400	15.75 (400)	34.45 (875)
HB-40-500	19.69 (500)	42.32 (1075)
HB-40-600	23.62 (600)	50.20 (1275)
HB-40-700	27.56 (700)	58.07 (1475)
HB-40-800	31.50 (800)	65.94 (1675)

**Ordering Example**

**HB-40-300-AA-P**  
 Hydraulic damper \_\_\_\_\_  
 Body diameter (mm) \_\_\_\_\_  
 Stroke length (mm) \_\_\_\_\_  
 Piston rod end fitting \_\_\_\_\_  
 Body end fitting \_\_\_\_\_  
 Damping \_\_\_\_\_

**Damping Code**

- M = Damping, tension only
  - N = Damping, compression only
  - P = Damping, both directions
  - X = Special model
- If considering utilization of hydraulic dampers in parallel, please contact ACE's Applications Department.  
 The end fittings are combinable.

**Technical Data**

ACE hydraulic dampers are self-contained and maintenance free.

**Mounting position:** can be mounted in any position

**Adjustment:** pull the piston rod out to its fully extended position. While pulling on the rod, turn it clockwise or counter-clockwise until the desired damping is achieved. The adjustment is multi-turn and correct damping may require several trial and error adjustments.

**Attention:** dampers have free travel accounting for approximately 20% of stroke

**Mechanical stop:** required 1 to 1.5 mm before end of stroke

**Temperature range:** -22° to +176° F (-30° to +80° C), with special seals up to 248° F (120° C)

**Fluid:** petroleum oil

**Minimum force:** 7 lbs (30 N)  
**Maximum force:** 2,248 lbs (10,000 N)

**Material:** chrome steel piston rod  
 body: black anodized aluminum

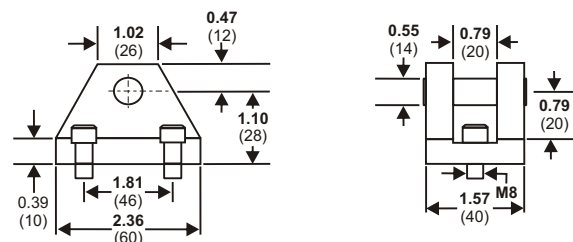
**End fittings:** zinc plated steel or aluminum

**Options:** units with other damping characteristics, other stroke lengths, alternative end fittings and protective rod sleeves

**Mounting Bracket (zinc plated steel)**

**ME14**

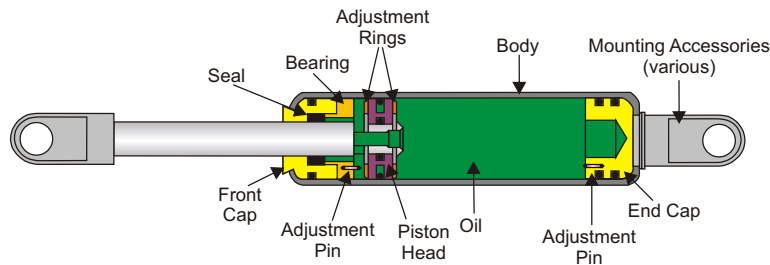
max. force **2,248 lbs (10,000 N)**



# ACE Hydraulic Dampers

ACE Controls hydraulic dampers are the economical choice for solving your automation damping problems. These maintenance free controls are ideal for drilling and tapping equipment, pick and place automation, swinging loads, tooling fixtures, lids, slides and more.

ACE hydraulic dampers are versatile and feature single or double-acting designs. Adjustment is easily achieved by pulling and turning the rod until the desired damping speed is attained.



## ACE Stocking Distributor Locations - USA, Canada and Latin America

### United States

Location	City	Distributor	Telephone
Alabama	Birmingham	FPS Technologies	205-798-9440
Arizona	Phoenix	Barkley Playman Co.	800-525-8592
Arkansas	Fort Smith	Franklin Electrofluid Co.	800-264-7406
	Little Rock	Franklin Electrofluid Co.	800-272-5665
California	Costa Mesa	Clayton Controls Co.	714-556-9446
	Santa Clara	Nor-Cal Controls, Inc.	408-435-0400
Colorado	Englewood	Advanced Air Products Co.	303-778-0800
Connecticut	Bloomfield	Pearse Pearson Co., Inc.	860-242-7777
Florida	Tampa	Gulf Controls Corporation	800-282-9125
Georgia	Stone Mountain	TSI Solutions	770-879-3500
Illinois	Elk Grove Village	Fluid Power Engineering Co.	847-364-7455
	St. Louis, MO	Air Specialists	314-298-7400
Indiana	Evansville	Neff Engineering Co., Inc.	812-476-7500
	Fort Wayne	Neff Engineering Co., Inc.	219-489-6007
	Indianapolis	Neff Engineering Co., Inc.	317-841-9244
	South Bend	Neff Engineering Co., Inc.	219-272-8282
Kansas	Merriam	IBT Fluid Power Group	913-677-3151
	Wichita	Skarda Equipment Co.	316-265-1329
Kentucky	Elizabethtown	Air Hydro Power, Inc.	270-763-0259
	Glaskow	Air Hydro Power, Inc.	270-651-1353
	Henderson	Air Hydro Power, Inc.	270-827-8008
	Lexington	Air Hydro Power, Inc.	859-255-6155
	Louisville	Air Hydro Power, Inc.	502-451-1000
Louisiana	Shreveport	Franklin Electrofluid Co.	318-227-1871
	New Orleans	Franklin Electrofluid Co.	504-486-6653
Michigan	Detroit	ACE Controls, Inc.	800-521-3320
	Flint	Neff Engrg/Kober Sales	810-232-9350
	Grand Rapids	Neff Engineering Co., Inc.	616-554-1974
	Grandville	Michigan Fluid Power, Inc.	616-538-5700
Minnesota	Eden Prairie	Braas Company	952-937-8902
Mississippi	Jackson	Franklin Electrofluid Co.	601-969-7022
Missouri	St Louis	Air Specialists	314-298-7400
	St Louis	Fluid Power Engineering Co.	800-635-8260
Nebraska	Omaha	IBT Fluid Power	402-592-2626
New Jersey	Maplewood	Airoyal Company	973-761-4150
	Maple Shade	RG Group/Van-Air & Hyd.	800-526-2708
New York	Mineola	Airoyal Company	516-248-4833
	Syracuse	Ralph W. Earl Co.	315-454-4431
North Carolina	Concord	Automation Technology	704-784-8101
Ohio	Cleveland	ACE Controls, Inc.	800-521-3320
	Dayton	Voelker Controls Co.	937-433-8128
	Toledo	ACE Controls, Inc.	800-521-3320
Oklahoma	Oklahoma City	Shepherd Controls	800-533-1866
	Tulsa	Southwestern Controls	918-663-6777
Pennsylvania	Mainland	Air-Oil Systems	800-333-5520
	Pittsburgh	Pennsylvania Controls, Inc.	800-247-9425
	Warrendale	Huston Industrial Sales	724-935-5666
	York	RG Group/Dev-Air	717-849-0307
Tennessee	Memphis	Action Fluid Power, Inc.	901-794-0857
	Memphis	Franklin Electrofluid Co.	901-362-7504
	Nashville	Meredith Air Controls, Inc.	615-256-1888
Texas	Dallas	Shepherd Controls & Assoc.	800-533-1866
	Dallas	Southwestern Controls	800-444-9367
	(East Texas)	Shepherd Controls & Assoc.	800-533-1866
	El Paso	Shepherd Controls & Assoc.	800-533-1866
	Houston	Shepherd Controls & Assoc.	800-533-1866
	Houston	Southwestern Controls	713-777-2626
	San Antonio	Southwestern Controls	800-444-9369
Utah	Murray	Advanced Air Products	801-466-1111

### United States

Location	City	Distributor	Telephone
Virginia	Fredericksburg	Advanced Pneumatics	540-898-4511
Washington	Seattle	Warden Fluid Dynamics	206-633-0382
	Spokane	Warden Fluid Dynamics	800-234-8265
	Vancouver	Warden Fluid Dynamics	360-696-4946
Wisconsin	Appleton	Neff Engr. of Wisconsin	920-738-5900
	Mequon	Neff Engr. of Wisconsin	262-834-6300

If you are located in one of the following states, please refer to the column on the right for the nearest state with an ACE Controls stocking distributor, and select from the list above and to the left.

### State

Alaska	Washington
Delaware	Pennsylvania
Hawaii	Washington
Idaho	Washington
Iowa	Illinois, Kansas, Minnesota
Maine	Connecticut
Maryland	Pennsylvania & Virginia
Massachusetts	Connecticut
Montana	Washington
Nevada	California
New Hampshire	Connecticut
New Mexico	Arizona, Colorado
North Dakota	Minnesota
Rhode Island	Connecticut
Oregon	Washington
South Carolina	North Carolina
South Dakota	Minnesota
Vermont	Connecticut
Washington D.C.	Pennsylvania
West Virginia	Pennsylvania & Virginia
Wyoming	Colorado

### Canada

State	City	Distributor	Telephone
Alberta	Edmonton	Peerless Engrg. Sales Ltd.	780-439-3322
British Columbia	Burnaby	Peerless Engrg. Sales Ltd.	604-659-4100
	Prince George	Peerless Engrg. Sales Ltd.	250-563-2130
New Brunswick	St. John	Cowper	506-634-7763
Nova Scotia	Dartmouth	Cowper	902-468-8036
Ontario	Kingston	Cowper	613-547-9991
	Waterloo	Vickers-Warnick	519-884-8946
	London	Cowper	519-681-0430
	Markham	Cowper	905-294-0204
	Mississauga	Cowper	905-607-2508
	Stoney Creek	Vickers-Warnick	905-662-7737
	Mississauga	Vickers-Warnick	800-493-4308
	Lachine	Cowper	514-637-6746

### Latin America

Location	City	Distributor	Telephone
Mexico	Mexico City	Atlas Industrial Supply, Inc.	52-55-5148-8104
	Mexico City	Kopar	52-55-5240-6249
	Monterrey	Atlas Industrial Supply, Inc.	52-81-8342-5260
	Monterrey	Kopar	52-81-1257-5000
	Saltillo	Atlas Industrial Supply, Inc.	52-84-4439-3263
Puerto Rico	Canovanas	P & C Company	787-768-5033

### WARNING

IMPROPER SELECTION OR IMPROPER USE OF THE PRODUCTS AND/OR SYSTEMS DESCRIBED HEREIN OR RELATED ITEMS CAN CAUSE PERSONAL OR FATAL INJURY AND/OR PROPERTY DAMAGE.



**ACE Controls Inc.**

World leader in deceleration technology

23435 Industrial Park Drive Farmington Hills, MI 48335 Phone: 800-521-3320 Phone: 248-476-0213 Fax: 248-476-2470

e-mail: shocks@acecontrols.com www.acecontrols.com